

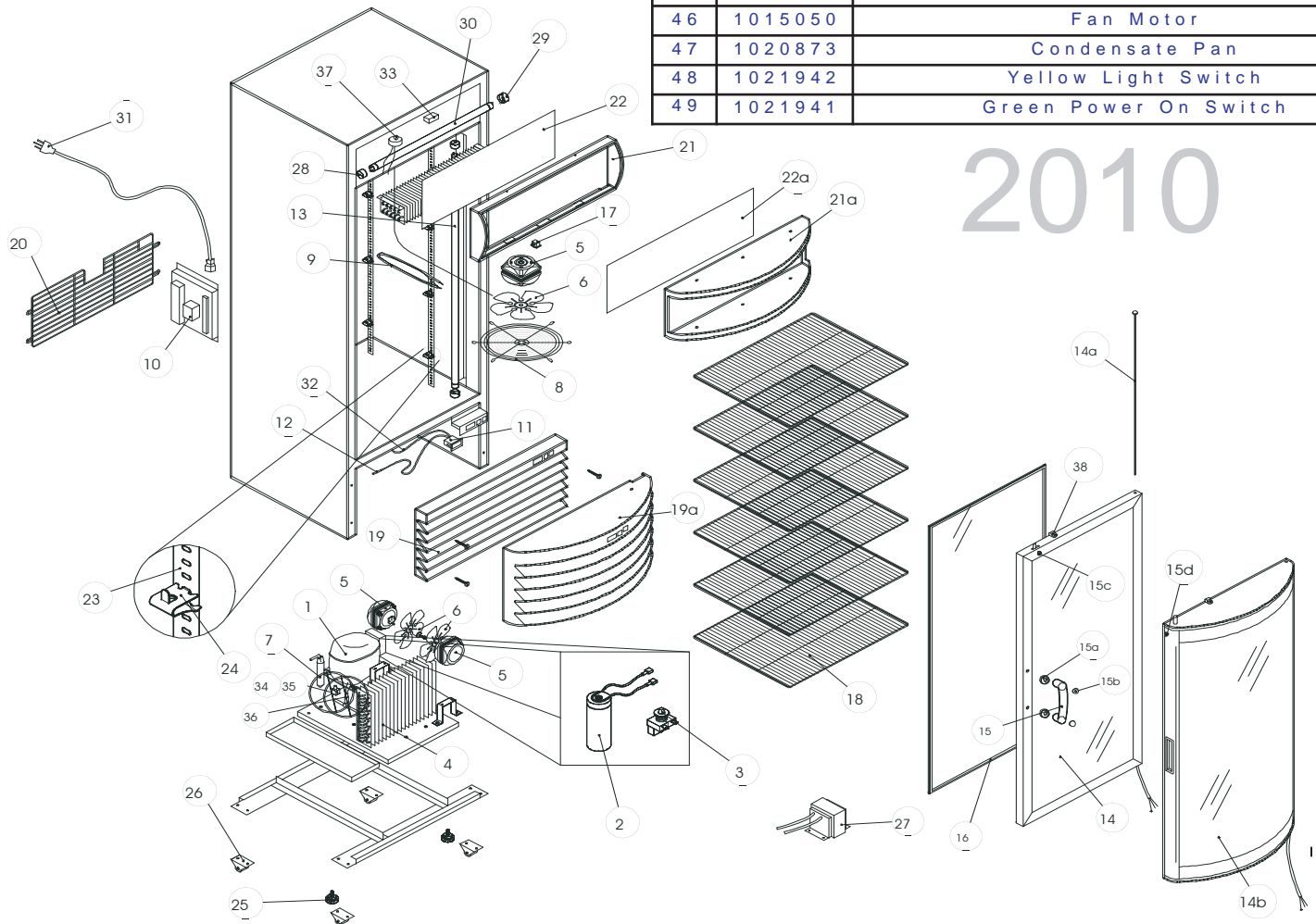


Service Parts List Model VV-16BTFN

EFFECTIVE JAN.1, 2010

41	1015006	Load Switch
42	1022791	Transformer
43	1018961	Capillary Tube
44	1017687	Thermal Protector
45	1014747	Clear Lamp Cover
46	1015050	Fan Motor
47	1020873	Condensate Pan
48	1021942	Yellow Light Switch
49	1021941	Green Power On Switch

2010



Item	Code	Description	Item	Code	Description
1	1015052	Compressor T2168GK-906DG	20	1019625	Back Grill
2	1017688	Starting Capacitor 145-	21	1019180	Top Lighted Sign Frame
3	1017686	Relay (Compressor)	22	1010826	Acrylic Sign
4	1014768	Condenser	23	1013992	Aluminum Pilaster
5	1021891	Fan M4Q045-CA27-04 EBM	24	1019059	Shelf Clip
6	1014406	Blade V230-22	25	1019456	Adjustable Leg
7	1026781	Filter Dryer	26	1014921	Roller
8	1021892	Fan Cover	27	1022791	Door Transformer
9	1022084	Electric Evap. Drain Heater	28	1015079	Lampholder 347 MAU - Bottom
10	1021093	Relay G7L	29	1015080	Lampholder 347 FAU - Top
11	1022878	Electronic Controller	30	1019470	Fluorescent Lamp
12	1024944	Probe PTC ECSND0142A	31	1024452	Power Cord 115V UL
13	1019631	Fluorescent Lamp	32	1024943	Probe PTC ECSND0112A Cabinet
14	1022327	Door	33	1026618	Relay G2R
14a	1025102	Torsion Bar	34	1027376	Solenoid Valve
15	1022476	Handle	35	1027378	Solenoid Coil
15c	1025123	Door Lock	36	1027362	High Pression Switch
16	1024465	Magnetic Gasket	37	1021922	Safety Back Up Thermostat
17	1024285	Evaporator Fan Switch	38	1024104	Door Switch Actuator
18	1016821	Shelf	39	1009947	Evaporator
19	1022895	Front Grill	40	1022083	Ballast VH5-L Fulham



Model: VV-16BTFN

PARTS ORDER FORM

EFFECTIVE JAN.1, 2010

1	1015052	Compressor T2168GK-906DG	\$259.50		
2	1017688	Starting Capacitor 145-174mf	\$20.00		
3	1017686	Relay (Compressor)	\$15.70		
4	1014768	Condenser	\$108.35		
5	1021891	Fan M4Q045-CA27-04 EBM Cond.	\$36.60		
6	1014406	Blade V230-22	\$7.05		
7	1026781	Filter Dryer	\$7.15		
8	1021892	Fan Cover	\$17.90		
9	1022084	Electric Evap. Drain Heater	\$16.00		
10	1021093	Relay G7L	\$18.15		
11	1022878	Electronic Controller	\$87.50		
12	1024944	Probe PTC ECSND0142A	\$13.75		
13	1019631	Fluorescent Lamp F32T8/TL841	\$10.85		
14	1022327	Door	\$434.50		
14a	1025102	Torsion Bar	\$24.80		
15	1022476	Handle	\$17.15		
15c	1025123	Door Locket	\$13.70		
16	1024465	Magnetic Gasket	\$31.35		
17	1024285	Evaporator Fan Switch	\$6.60		
18	1016821	Shelf	\$24.20		
19	1022895	Front Grill - Grey	\$28.60		
19	1029599	Front Grill - Blue	\$28.60		
20	1019625	Back Grill	\$15.95		
21	1019180	Top Lighted Sign Frame - Grey	\$17.90		
21	1029600	Top Lighted Sign Frame - Blue	\$17.90		
22	1010826	Acrylic Sign	\$9.35		
23	1013992	Aluminum Pilaster	\$7.10		
24	1019059	Shelf Clips	\$.55		
25	1019456	Adjustable Leg	\$2.20		
26	1014921	Roller	\$11.30		
27	1022791	Door Transformer	\$66.00		
28	1015079	Lampholder 347 MAU - Bottom	\$2.75		
29	1015080	Lampholder 347 FAU - Top	\$2.75		
30	1019470	Fluorescent Lamp F17T8/TL841	\$12.65		
31	1024452	Power Cord 115V UL	\$17.15		
32	1024943	Probe PTC ECSND0112A Cabinet	\$13.75		
33	1026618	Relay G2R	\$16.00		
34	1027376	Solenoid Valve	\$32.85		
35	1027378	Solenoid Coil	\$18.55		
36	1027362	High Pressure switch	\$30.80		
37	1021922	Safety Back Up Thermostat	\$24.75		
38	1024104	Door Switch Actuator	\$10.40		
39	1019947	Evaporator	\$108.35		
40	1022083	Ballast VH5-L Fulham	\$30.70		
41	1015006	Load Switch	\$6.60		
42	1022791	Transformer 52V	\$93.50		
43	1018961	Capillary Tube	\$17.10		
44	1017687	Thermal Protector	\$7.70		
45	1014747	Clear Lamp Cover	\$10.40		
46	1015050	Fan Motor M4Q045-BD03-04 EBM	\$36.60		
47	1020873	Condensate Pan	\$16.20		
48	1021942	Yellow Light Switch	\$5.50		
49	1021941	Green Power On Switch	\$5.50		
50	1014896	White Lamp Channel	\$6.60		
Freight Charges invoiced at the time of Shipment					

FAX Order to Mimet USA: 802-419-4992 or Email Order to:service@mimetusa.com

Valid Until Dec. 31, 2010